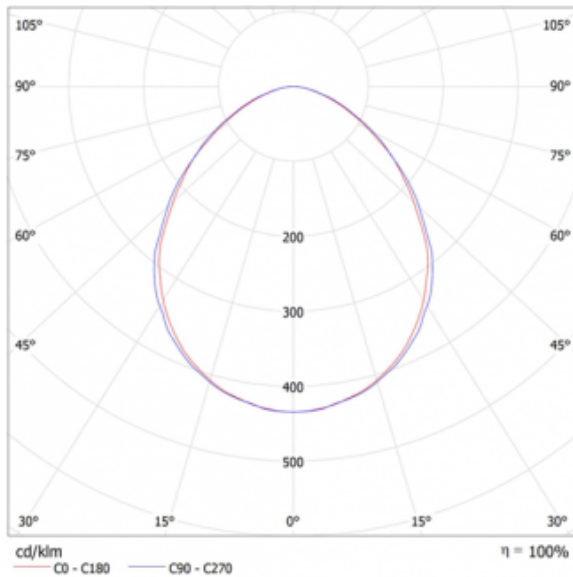
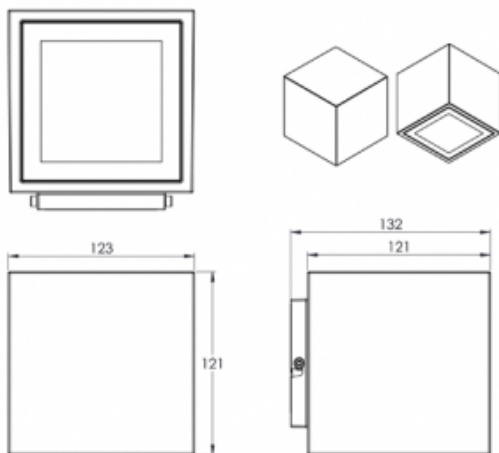




PHOTOMETRIC DATA



GENERAL DIMENSIONS



* other colors or finishes available on request

Application	Wall	Light Colour	4000K
Mounting	Surface	Light Source	EL51
Power (W)	9,5W	Optic	96°
CRI	80	Control	On/ Off
Insulation Rating	Class II	IK Rating	IK07
IP Rating	IP65	Weight (kg)	1,740kg
Product Shape	Square	Size (mm)	132x123x121
Lumen (Lm)	555Lm	Produced Light	DIR

GENERAL DESCRIPTION

Wall mounted luminaire. With a highlighting function or for the creation of beacons.

TECHNICAL DESCRIPTION

Lamp with dimensions 132x123x121mm. Injected aluminum body, color thermosetting, with anti-aging additive, for better mechanical resistance and durability. The high-quality, tempered-glass, high-durability light source has an estimated life of 70,000 hours at L80B10 for a Ta=25°C (according to IESNA LM 80-08 and TM 21-11) and a color stability of 3 SCDM for a 4000K color temperature and 80% IRC, with a 96° aperture. It thus allows a flow of 555lm, associated with a consumption of 9.5W, and the luminaire has an overall efficiency of 58lm/W. At security level, this is a class II insulation luminaire, IP65 and IK07. The luminaire has a total weight of 1.740kg. This model does not allow adjustment.

MOUNTING

Surface mounting luminaire.

INSTALLATION

Surface mounting luminaire. The dimensions of the device are 132x123x121mm. You should refer to the equipment installation manual. Note that the values described refer only to the optical module. The light source contained in this luminaire should only be replaced by the manufacturer, or its service agent, or a similar qualified person.

COLOR

XX

BR:White PT:Black AN:Anthracite

INTENDED USE

Luminaire for indoor or outdoor use. Assembly and installation, always respecting the applicable national legislation.