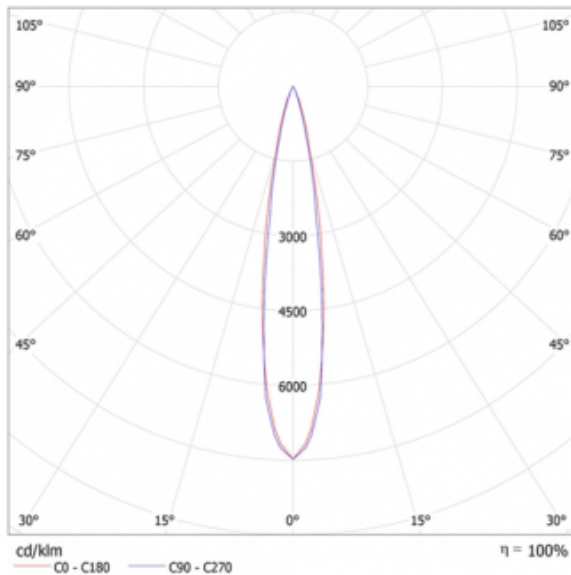
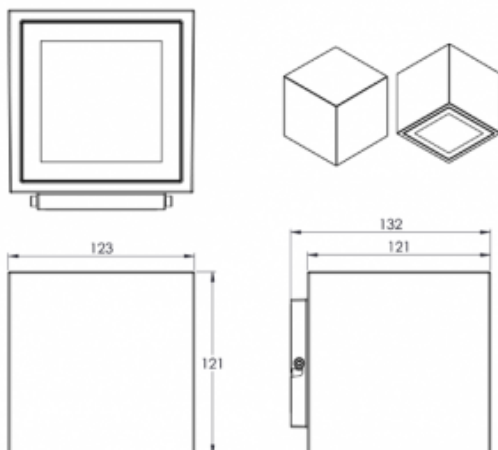




## PHOTOMETRIC DATA



## GENERAL DIMENSIONS



\* other colors or finishes available on request

<b>Application</b>	Wall	<b>Light Colour</b>	3000K
<b>Mounting</b>	Surface	<b>Light Source</b>	DL
<b>Power (W)</b>	9,5W	<b>Optic</b>	18°
<b>CRI</b>	70	<b>Control</b>	On/ Off
<b>Insulation Rating</b>	Class II	<b>IK Rating</b>	IK07
<b>IP Rating</b>	IP65	<b>Weight (kg)</b>	1.850kg
<b>Product Shape</b>	Square	<b>Size (mm)</b>	132x123x121
<b>Lumen (Lm)</b>	741Lm	<b>Produced Light</b>	DIR

## GENERAL DESCRIPTION

Wall mounted luminaire. With a highlighting function or for the creation of beacons.

## TECHNICAL DESCRIPTION

Lamp with dimensions 132x123x121mm. Injected aluminum body, color thermosetting, with anti-aging additive, for better mechanical resistance and durability. The high-quality, tempered-glass, high-durability light source has an estimated life of 70,000 hours at L80B10 for a Ta=25°C (according to IESNA LM 80-08 and TM 21-11) and a color stability of 3 SCDM for a 3000K color temperature and 70% IRC, with a 18° aperture. It thus allows a flow of 741lm, associated with a consumption of 9.5W, and the luminaire has an overall efficiency of 78lm/W. At security level, this is a class II insulation luminaire, IP65 and IK07. The luminaire has a total weight of 1.850kg. This model does not allow adjustment.

## MOUNTING

Surface mounting luminaire.

## INSTALLATION

Surface mounting luminaire. The dimensions of the device are 132x123x121mm. You should refer to the equipment installation manual. Note that the values described refer only to the optical module. The light source contained in this luminaire should only be replaced by the manufacturer, or its service agent, or a similar qualified person.

## COLOR

XX

BR:White PT:Black AN:Anthracite

## INTENDED USE

Luminaire for indoor or outdoor use. Assembly and installation, always respecting the applicable national legislation.