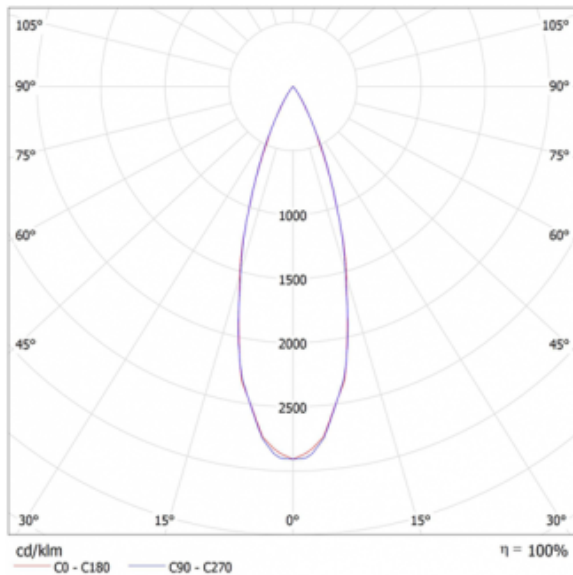


Code PACK011

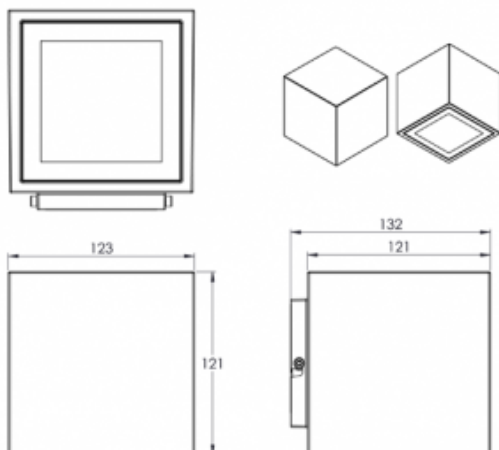
PACK LED 1333 E PA SD 132 VE 730 XX 32° OF SE



PHOTOMETRIC DATA



GENERAL DIMENSIONS



* other colors or finishes available on request

Application	Wall	Light Colour	3000K
Mounting	Surface	Light Source	DL
Power (W)	9.5W	Optic	32°
CRI	70	Control	On/ Off
Insulation Rating	Class II	IK Rating	IK07
IP Rating	IP65	Weight (kg)	1.850kg
Product Shape	Square	Size (mm)	132x123x121
Lumen (Lm)	736Lm	Produced Light	DIR

GENERAL DESCRIPTION

Wall mounted luminaire. With a highlighting function or for the creation of beacons.

TECHNICAL DESCRIPTION

Lamp with dimensions 132x123x121mm. Injected aluminum body, color thermosetting, with anti-aging additive, for better mechanical resistance and durability. The high-quality, tempered-glass, high-durability light source has an estimated life of 70,000 hours at L80B10 for a Ta=25°C (according to IESNA LM 80-08 and TM 21-11) and a color stability of 3 SCDM for a 3000K color temperature and 70% IRC, with a 32° aperture. It thus allows a flow of 736lm, associated with a consumption of 9.5W, and the luminaire has an overall efficiency of 77lm/W. At security level, this is a class II insulation luminaire, IP65 and IK07. The luminaire has a total weight of 1.850kg. This model does not allow adjustment.

MOUNTING

Surface mounting luminaire.

INSTALLATION

Surface mounting luminaire. The dimensions of the device are 132x123x121mm. You should refer to the equipment installation manual. Note that the values described refer only to the optical module. This luminaire is only marketed with the corresponding PACK AC recessed accessory. The light source contained in this luminaire should only be replaced by the manufacturer, or its service agent, or a similar qualified person.

COLOR

XX

BR:White PT:Black AN:Anthracite

INTENDED USE

Luminaire for indoor or outdoor use. Assembly and installation, always respecting the applicable national legislation.