

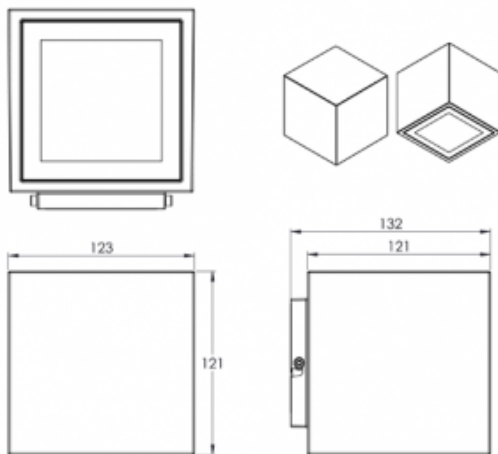
Code PACK021

PACK R7s E PA SLD 132 VE FLE XX OF SE



Application	Wall	Light Colour	4000K
Mounting	Surface	Light Source	R7S
Power (W)	7,50W	Insulation Rating	Class I
CRI	80	IP Rating	IP65
IK Rating	IK07	Product Shape	Square
Weight (kg)	1,740kg	Lumen (Lm)	1000Lm
Size (mm)	132x123x121		
Produced Light	DIR		

GENERAL DIMENSIONS



* other colors or finishes available on request

GENERAL DESCRIPTION

Wall mounted luminaire. With a highlighting function or for the creation of beacons.

TECHNICAL DESCRIPTION

Lamp with dimensions 132x123x121mm. Injected aluminum body, thermosetting color, with anti-aging additive, for better mechanical resistance and durability. The high-quality light source, protected by tempered glass, is based on a R7S socket lamp, with a color temperature of 4000K, 15000 hours estimated for 50000 cycles, with a consumption of 7.5W and a flow of 1000lm and an overall efficiency of 133lm/W. At security level this is an insulation class luminaire I, IP65 and IK07. This model does not allow adjustment.

MOUNTING

Surface mounting luminaire.

INSTALLATION

Surface mounting luminaire. The dimensions of the device are 132x123x121mm. You should refer to the equipment installation manual. Note that the values described refer only to the optical module. The light source contained in this luminaire should only be replaced by the manufacturer, or its service agent, or a similar qualified person.

COLOR

XX

BR:White PT:Black AN:Anthracite

INTENDED USE

Luminaire for indoor or outdoor use. Assembly and installation, always respecting the applicable national legislation.