

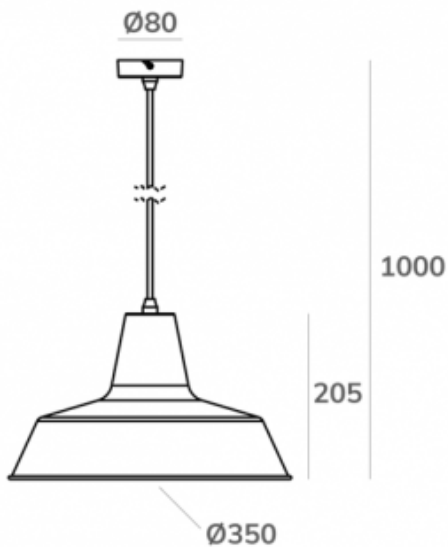
Code TUGA001

TUGA E27 | TE SUD 350 SD FLE XX/XX OF SE



Application	Ceiling	Light Source	E27
Mounting	Suspended	Power (W)	max. 40W
Control	On/ Off	IP Rating	IP20
Insulation Rating	Class I	IK Rating	IK03
Product Shape	Round	Produced Light	DIR
Size (mm)	Ø350x205		

GENERAL DIMENSIONS



GENERAL DESCRIPTION

TUGA SU is a decorative suspended pendant of simple shapes, inspired by a design evocative of the Portuguese deco phase, resulting in an elegant and minimalist design. Available in two sizes, both being the ideal solution to meet the dimensional requirements of each project.

TECHNICAL DESCRIPTION

Luminaire with total dimensions of Ø350x205mm, suspended mounting. Body in aluminum, thermally electrostatic with color resin, with additive against aging, for better mechanical resistance and greater durability. Equipped with E27 socket, it can accommodate any lamp up to a limit of 40W. This model does not allow adjustment.

MOUNTING

Suspended mounting luminaire.

INSTALLATION

Simple, suspended mounting luminaire. The overall dimensions of the appliance are Ø350x205mm. You should refer to the equipment installation manual.

COLOR

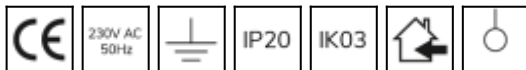
RAL 9011

RAL 9003

* other colors or finishes available on request

INTENDED USE

Decorative lighting for different uses such as hotels, residences and others.



* other colors or finishes available on request